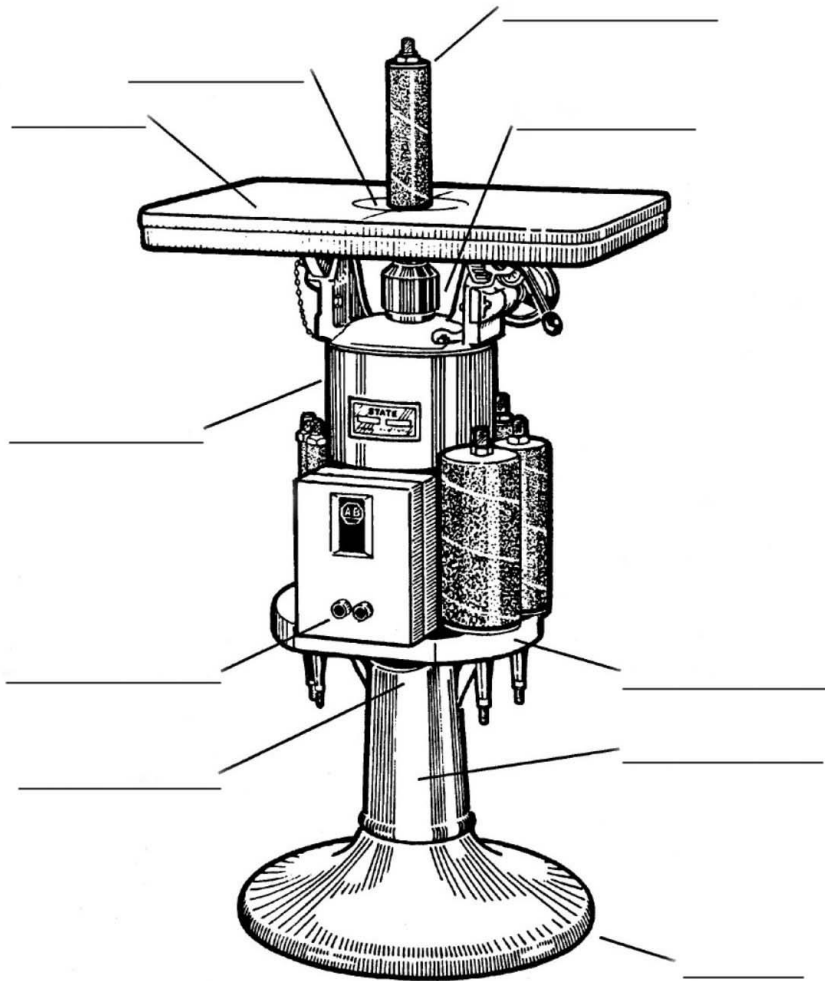




Oscillating Spindle Sander General Safety and Operation



Safety First



Description:

The oscillating spindle sander is extremely useful for sanding inside curves of wooden projects. The sanding spindle moves up and down (oscillates) to spread wear and use more of the sander roll.

Operation:

The table can be adjusted for angles but commonly used flat. Ensure clean area, project area marked and hold work securely on table and slide work piece slowly to remove inside curve area.

Things to Remember:

- + After the machine has been turned off remember the disk takes time to stop turning
- + Hold work piece securely on table and feed into oscillating spindle sander slowly

Extra Notes:



Exploring Technologies

Western Technical-Commercial School

Name:

Date:

Safety Contract for the Oscillating Spindle Sander



Rules to remember

1. Wear safety glasses!
 2. Connect and turn on the dust collection system for reduced sawdust spread
 3. Do not touch the spindle sander abrasive when it is turning
 4. Do not sand pieces of wood that are too small to hold safely
 5. Do not try to sand off large amounts of stock, remove excess with a cutting tool first
 6. Do not apply too much pressure on stock when sanding or else it will burn
 7. If sandpaper is dull, ripped, or wrinkled, do not use until abrasive sandpaper is replaced
 8. Turn machine off when finished, needs some time to actually stop and clean area
 9. Before replacing spindle sandpaper, be sure that power is disconnected
- + Look at yourself; if you have all your body parts and you're not bleeding, then you can appreciate the benefits of safety in the shop.

I was present for the instruction on the safe use of the Oscillating Spindle Sander and I understand its meaning and will operate this machine in a safe method as described. I feel comfortable in the operation of the Drill Press and if in any doubt will ask for help from an Instructor.

Fill in below, the lesson date (year/month/day), check off that you have seen the instructor's parts, safety, and operation demonstration, your name, check off your completions, signature and then have your instructor sign-off for your contract to be allowed to use the machine.

Students to fill in all column boxes below once completed, then sign.						Teacher
Lesson Date	Demo ✓	Last Initial, First Name	HO Done ✓	Demonstrated ✓	Signature	Safe to Use