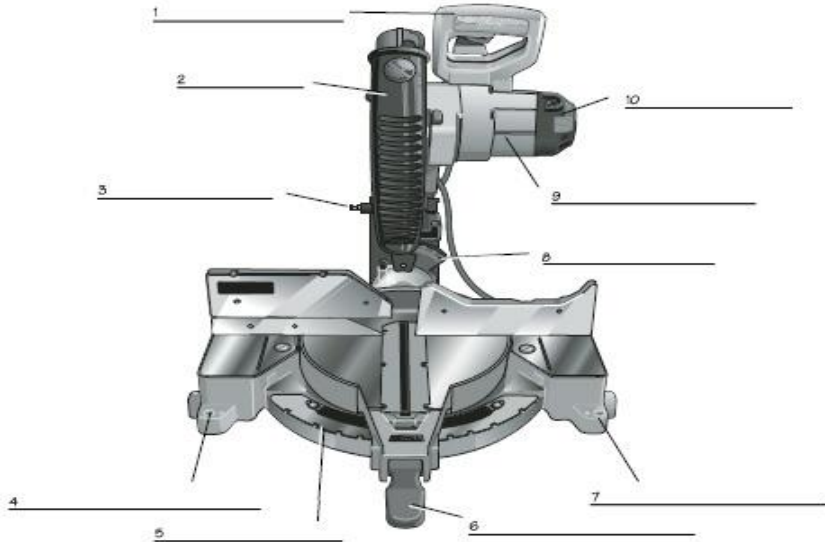




## Mitre Saw General Safety and Operation



## Safety First

### Description:

The Mitre saw, sometimes referred to as a chop saw is used to make three cuts: cross cut, bevel cuts and compound cuts. Some of these saws also come with an adjustable arm allowing for wider cuts. This tool is very common and a valuable asset to carpenters for its quick accurate cross-cutting action.

### Operation:

Place your wood up to the fence, bring the saw down to the line you need to cut, adjust the wood to line up to the cut line, then holding the wood with your left hand, use your right hand release the safety, press the power trigger, and pull down on the handle to cut into the wood.

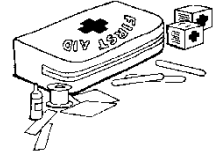
### Things to Remember:

- + Never cross arms to hold the wood and the saw handle when cutting material
- + Always double check settings and angles and make sure the safety guard is in working condition

Extra Notes:



## Safety Contract for the Mitre Saw



### Rules to remember

1. Wear safety glasses!
2. Connect and turn on the dust collection system for reduced sawdust spread
3. Keep hands away from blade and blade cutting pathway
4. Clamp small pieces of wood that close to the blade, to keep hands away from blade
5. Do not have another person support the far end of your wood, as wood could bind against blade
6. Make sure wood is tightly held against the fence when cutting
7. Remove scrap pieces of wood and keep saw area clean
8. Release trigger once wood has been cut
9. Before replacing blade, be sure that power is disconnected

+ Look at yourself; if you have all your body parts and you're not bleeding, then you can appreciate the benefits of safety in the shop.

I was **present** for the instruction on the safe use of the **Mitre saw** and I understand its use and will operate this machine in a safe method as described. I feel comfortable in the operation of the Mitre saw and if in any doubt will ask for help from an Instructor.

Fill in below, the lesson date (year/month/day), check off that you have seen the instructor's parts, safety, and operation demonstration, your name, check off your completions, signature and then have your instructor sign-off for your contract to be allowed to use the machine.

Students to fill in all column boxes below once completed, then sign.						Teacher
Lesson Date	Demo ✓	Last Initial, First Name	HO Done ✓	Demonstrated ✓	Signature	Safe to Use