

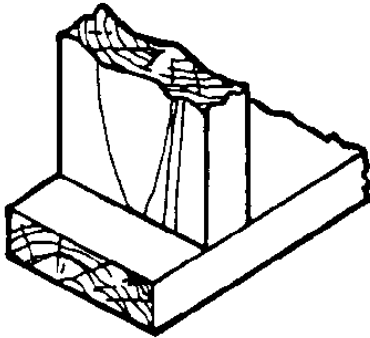


WOODWORKING

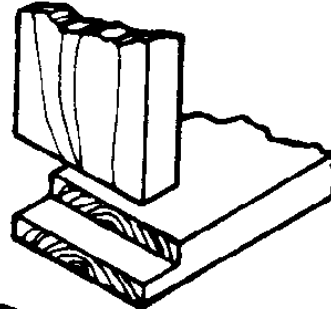
TYPICAL

WOOD JOINTS

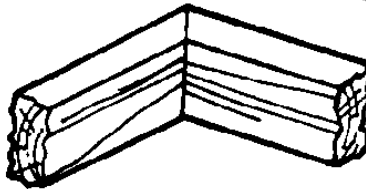




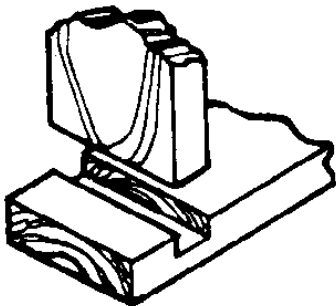
BUTT JOINT



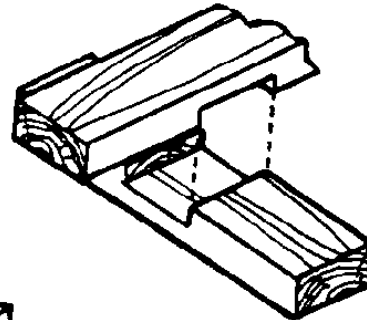
RABBET JOINT



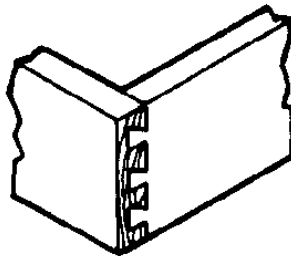
MITER JOINT



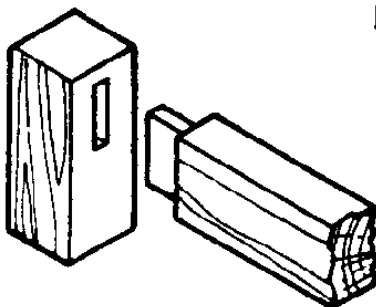
DADO JOINT



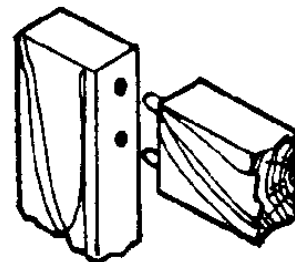
CROSS LAP JOINT



DOVETAIL JOINT



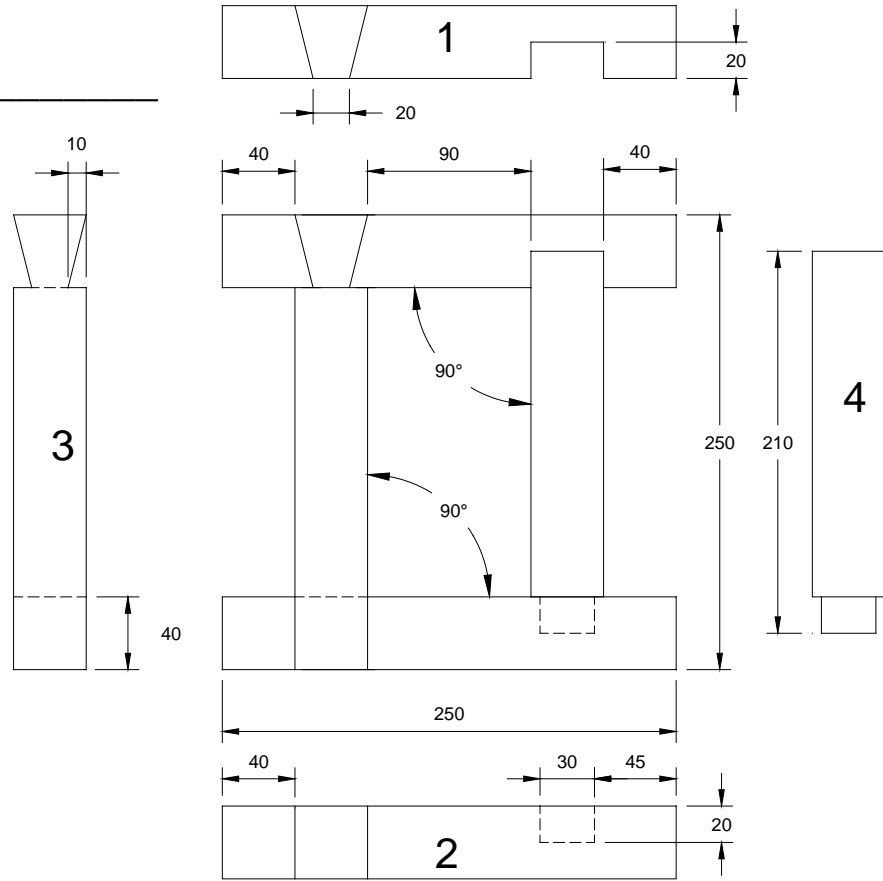
MORTISE AND TENON JOINT



DOWEL JOINT

TCJ201 WOOD JOINT PROJECT

Name: _____



STOCK SIZE:
 T = 20 mm
 W = 40 mm
 L = 250 mm

