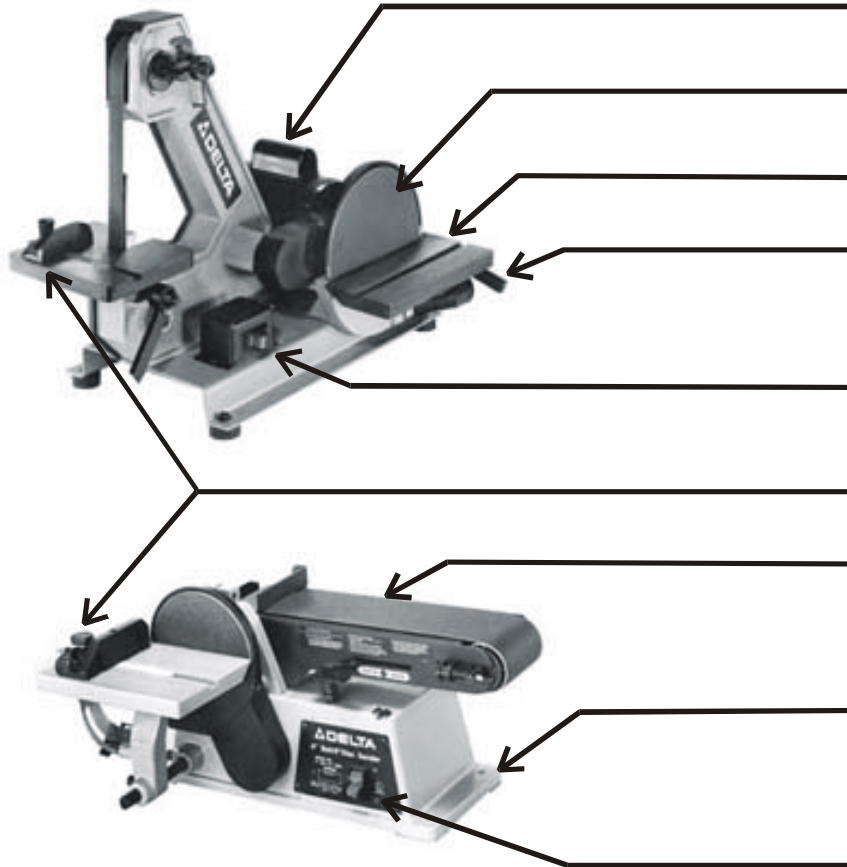




Name:

Date:

The Disk Sander



Description:

The large disk sander is extremely useful for sanding end grain and outside curves of wooden projects. The disk sander is extremely heavy, powerful and when properly setup and used, accurate.

Operation:

Because the disk is heavy, the motor must have time to bring the disk to full speed before it is used. The table can be adjusted for angles or to have a larger gap between the table and disk to compensate for different shaped projects.

Things To Remember:

- + Be sure the machine has been turned off and has stopped rotating for safety of the next user.
- + Always work on the downward turning side (right side) of the disk so that the stock is pushed down onto the table.

Extra Notes:



Name:

Date:

Safety Contract for The Disk Sander



1. Wear safety glasses!
 2. Turn on the dust collector and open the blast gate to the collector pipe.
 3. Do not touch the disk when it is turning.
 4. Do not sand pieces of wood that are too small to hold safely.
 5. Do not try to sand off large amounts of stock, remove excess with a cutting tool first.
 6. Do not apply too much pressure on stock when sanding or else it will burn.
 7. Replace sandpaper when ripped or wrinkled from heavy usage.
 8. Before replacing paper, be sure that power is disconnected.
 9. Turn machine off when finished, ensure it is stopped before moving on
- + Look at yourself; if you have all your body parts and you're not bleeding, then you can appreciate the benefits of safety in the shop.

Date of lesson _____

I was **present** for the instruction on the safe use of the **disk sander** and I understand its use and will operate this machine in a safe method as described. I feel comfortable in the operation of the disk sander and if in any doubt will ask for help from an Instructor. Fill in the date or name information below

Teacher		Student				Teacher
Lesson	Demo	Last Initial, First Name	HO Done	Success Demo	Signature	Safe to Use